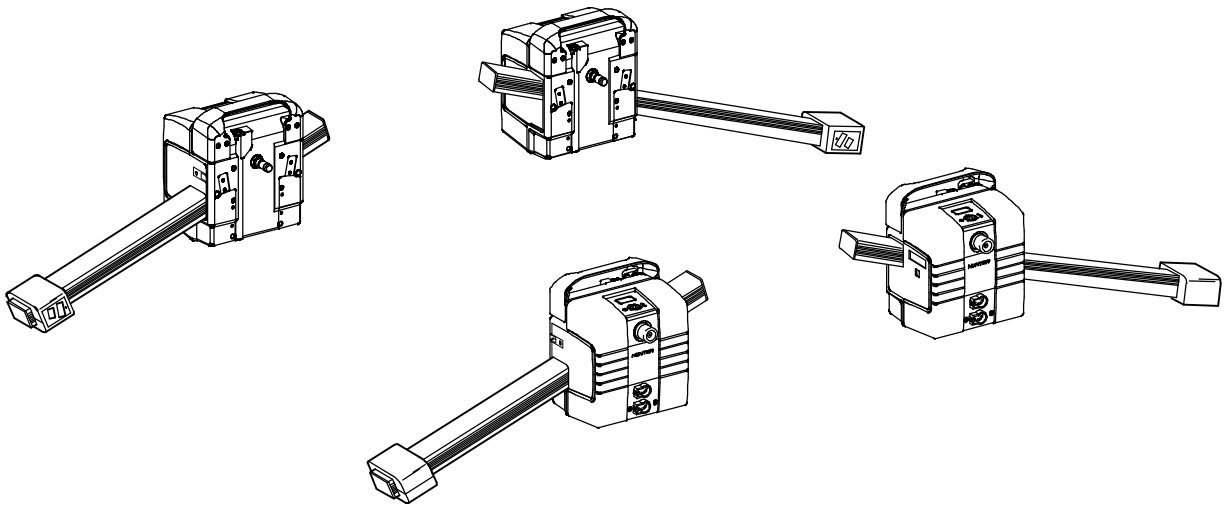
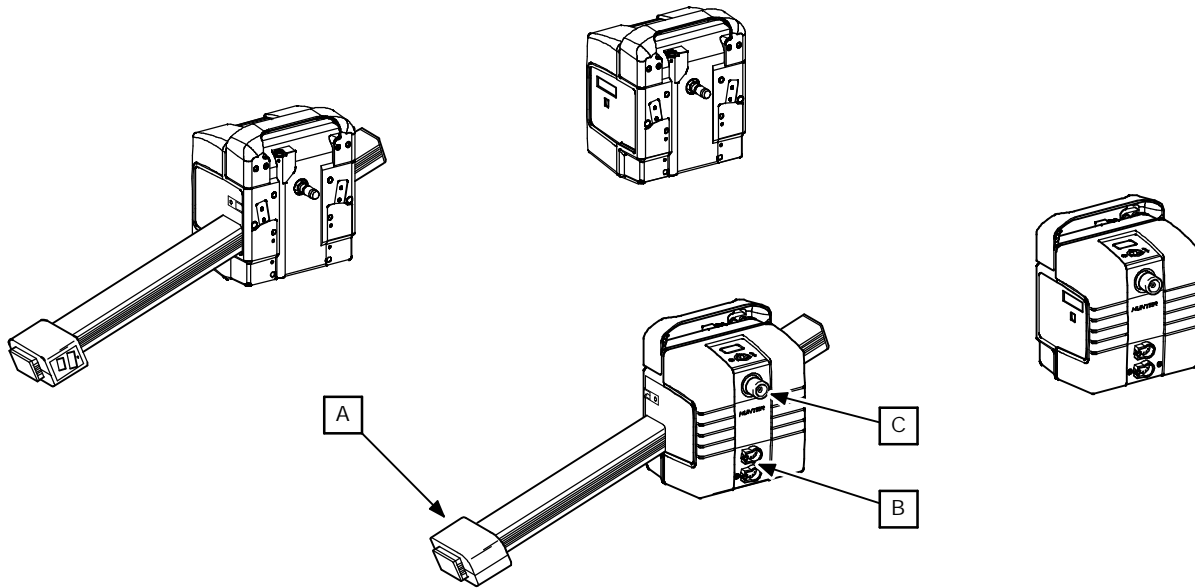


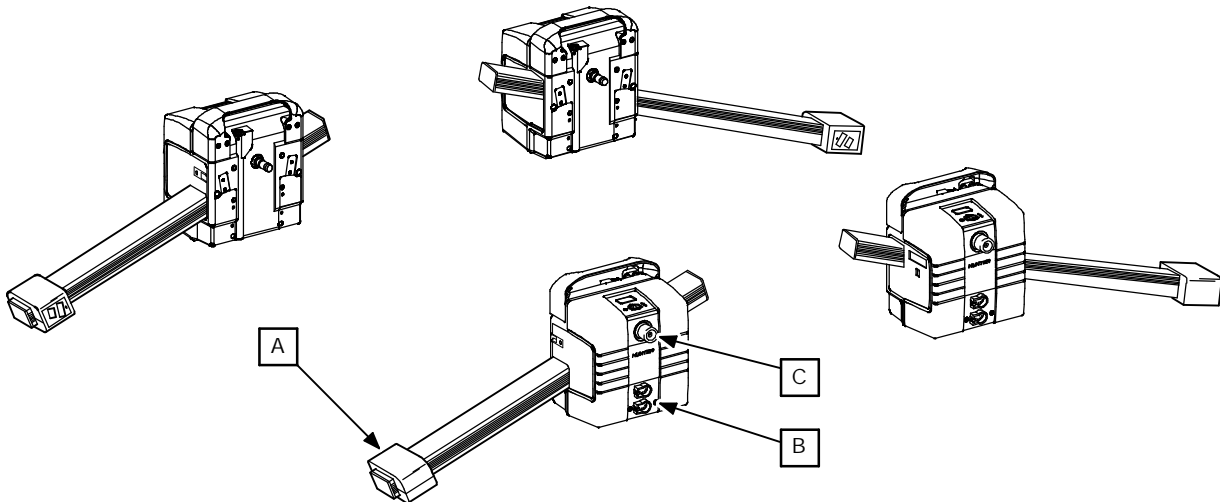
DSP 250/250RF/250HF SENSORS



DSP 258/258RF/258HF SENSORS



DSP 250/250RF/250HF SENSORS



DSP 258/258RF/258HF SENSORS

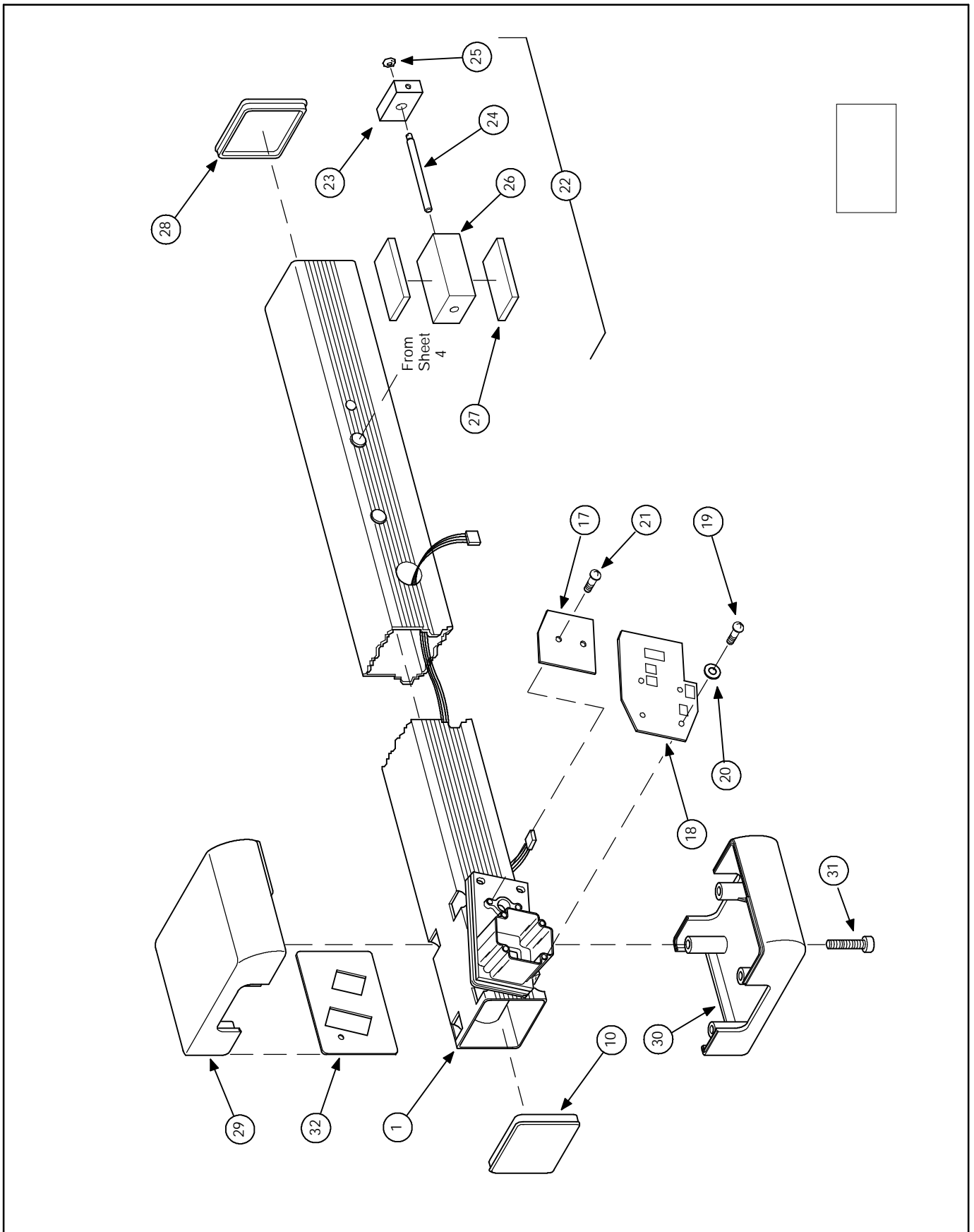
DSP 250/250RF/250HF/258/258RF/258/HF SENSORS

REFER TO NEXT SHEET FOR PARTS DESCRIPTION LISTING

PARTS DESCRIPTION LISTING

INDEX NO.	DESCRIPTION
	125-269-1 LEFT FRONT DSP250/258 SENSOR 125-270-1 RIGHT FRONT DSP250/258 SENSOR 125-271-1 LEFT REAR DSP250 SENSOR 125-272-1 RIGHT REAR DSP250 SENSOR 125-273-1 LEFT REAR DSP258 SENSOR 125-274-1 RIGHT REAR DSP258 SENSOR or 125-275-1 LEFT FRONT DSP250RF/258RF SENSOR 125-276-1 RIGHT FRONT DSP250RF/258RF SENSOR 125-277-1 LEFT REAR DSP250RF SENSOR 125-278-1 RIGHT REAR DSP250RF SENSOR 125-279-1 LEFT REAR DSP258RF SENSOR 125-280-1 RIGHT REAR DSP258RF SENSOR or 125-293-1 LEFT FRONT DSP250HF/258HF SENSOR 125-294-1 RIGHT FRONT DSP250HF/258HF SENSOR 125-295-1 LEFT REAR DSP250HF SENSOR 125-296-1 RIGHT REAR DSP250HF SENSOR 125-297-1 LEFT REAR DSP258HF SENSOR 125-298-1 RIGHT REAR DSP258HF SENSOR A HANGER ASSEMBLY, DSP208 (Sheet 3) B PC BOARD, DSP250 TRANSDUCER CONTROL (Sheet 4) C HOUSING, SHAFT ASSEMBLY (Sheet 5) COVER ASSEMBLY, FRONT DSP250/258, REAR DSP258 (Sheet 6) COVER ASSEMBLY, REAR DSP250 (Sheet 7) COVER ASSEMBLY, FRONT DSP250HF/258HF, REAR 258HF (Sheet 8) COVER ASSEMBLY, REAR DSP250HF (Sheet 9)

nnn - Paint Code Required
 A/R - As Required
 REF - Referenced to a previous page



DSP250/250HF/258/258HF 20-2.4 RFXCVR-1 SENSORS

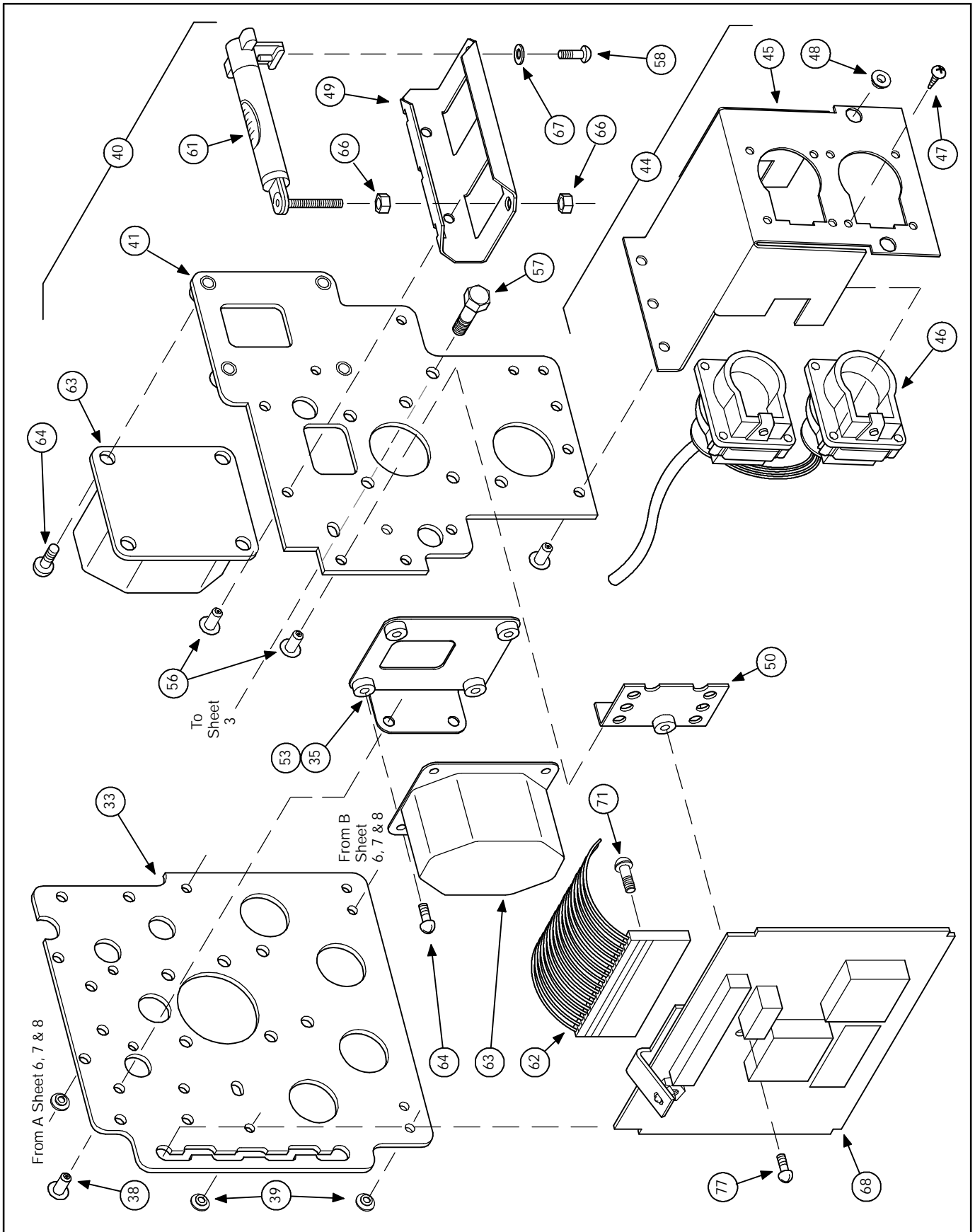
REFER TO NEXT SHEET FOR PARTS DESCRIPTION LISTING

PARTS DESCRIPTION LISTING

INDEX NO.	PART NUMBER	DESCRIPTION	LEFT FRONT 250/250RF 258/258RF	RIGHT FRONT 250/250R F 258/258R F	LEFT REAR 250/250R F	RIGHT REAR 250/250R F	LEFT REAR 258/258R F	RIGHT REAR 258/258RF
1	117-141-1 HANGER LEFT FRONT (Consisting Of:)	1						
	or 117-142-1 HANGER, RIGHT FRONT (Consisting Of:)			1				
	or 117-131-1 HANGER, LEFT REAR (Consisting Of:)				1			
	or 117-132-1 HANGER, RIGHT REAR (Consisting Of:)					1		
	or 117-143-1 HANGER, LEFT REAR (Consisting Of:)						1	
	or 117-144-1 HANGER, RIGHT REAR (Consisting Of:)							1
	.. 16-561-1 TUBE, LEFT FRONT/RIGHT REAR (Consisting Of:)	1						1
	or .. 16-562-1 TUBE, RIGHT FRONT/LEFT REAR (Consisting Of:)			1			1	
10 53-82-2 CAP, TOE ARM	1	1				1	1
17	.. 45-733-1 P.C. TOE EMITTER	1	1				1	1
18	.. 168-178-2 . . . IC-1.2 KHZ WITH FILTER	2						2
	or .. 168-179-2 . . . IC-1.2 KHZ WITH FILTER			2			2	
19	.. 75-52-2 RHMS 4-40 x 3/8 PR ZP	4	4				4	4
20	.. 77-204-2 WASHER, FLAT 4 NYLON	4	4				4	4
21	.. 75-31-2 RHMS 4-40 x 3/8 PR ZP	2	2				2	2
22	65-63-1 WEIGHT, DSP200 (Consisting Of:)	1	1				1	1
23	.. 11-738-2 SUPPORT, COUNTERBALANCE DSP200	1	1				1	1
24	.. 97-341-2 SHAFT, COUNTERWEIGHT DSP200	1	1				1	1
25	.. 76-21-2 NUT, GRIP 10-32 CP	1	1				1	1
26	.. 65-62-2 WEIGHT, COUNTERBALANCE DSP200	1	1				1	1
27	.. 162-50-2 TAPE, NEOPRENE SPONGE	A/R	A/R				A/R	A/R
28	53-82-2 CAP, TOE ARM	1	1				1	1
29	69-705-2 COVER, TOE BOX TOP	1	1				1	1
30	69-706-2 COVER, TOE BOX BOTTOM	1	1				1	1
31	75-415-2 FLHMS 8-32 x 1.25 PR FTHD BZ	4	4				4	4
32	51-1436-2 PLATE, BAFFLE	1						1
	or 51-1437-2 PLATE, BAFFLE			1			1	

nnn - Paint Code Required
A/R - As Required
REF - Referenced to a previous page





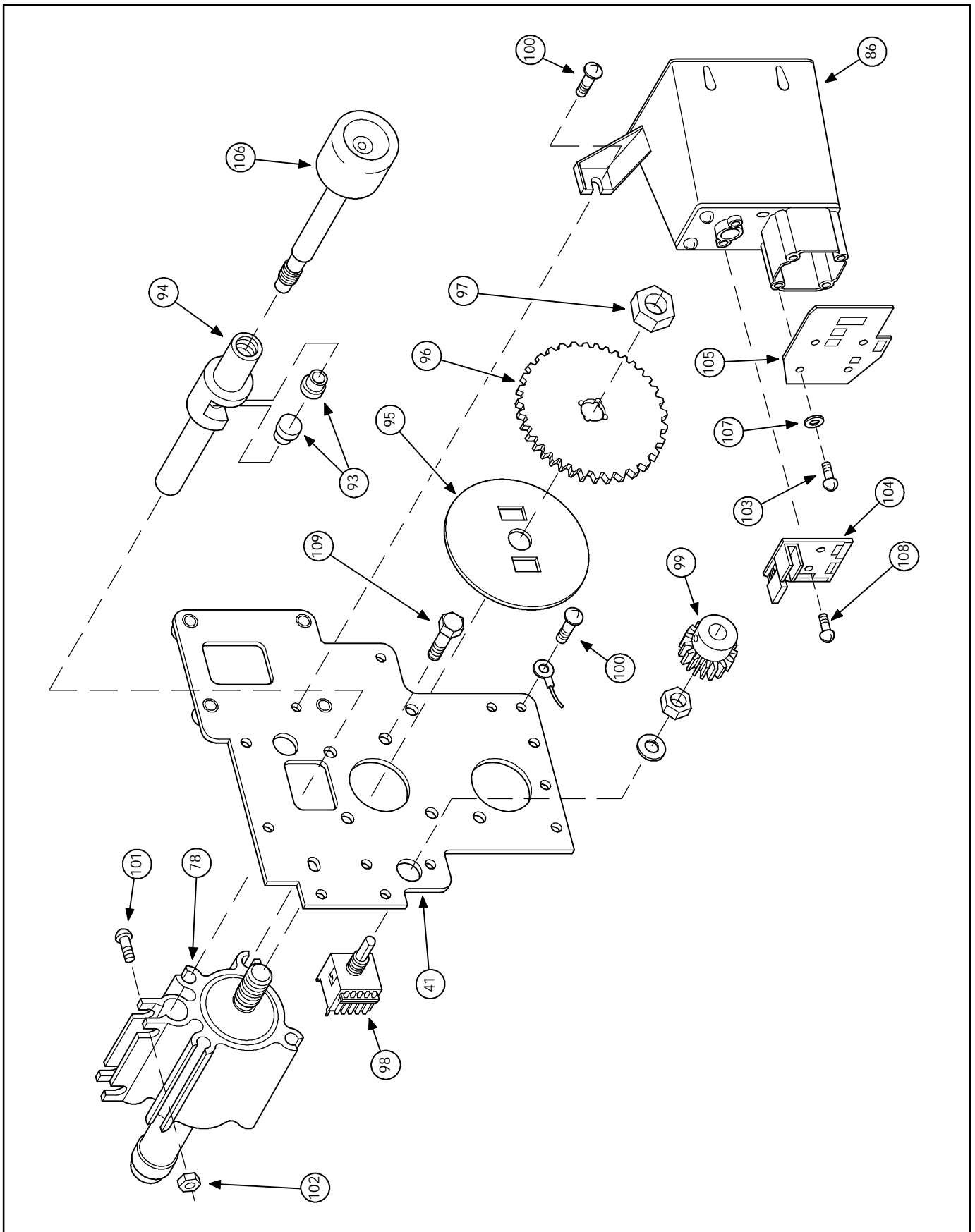
DSP250/250HF/258/258HF 20-2.4 RFXCVR-1 SENSORS

REFER TO NEXT SHEET FOR PARTS DESCRIPTION LISTING

PARTS DESCRIPTION LISTING

INDEX NO.	PART NUMBER	DESCRIPTION	LEFT FRONT	RIGHT FRONT	LEFT REAR	RIGHT REAR	LEFT REAR	RIGHT REAR
			250/250RF 258/258RF	250/250RF 258/258RF	250/250RF	250/250RF	258/258RF	258/258RF
33 or	51-1398-1 51-1366-1	PLATE ASSEMBLY, INNER RIGHT FRONT/ LEFT REAR PLATE ASSEMBLY, INNER LEFT FRONT/ RIGHT REAR	1	1	1	1	1	1
35	14-726-1	BRACKET, TRANSDUCER	1			1		1
38	48-57-2	RIVET, BLIND 5/32x1/4	2			2		2
39	76-163-2	NUT, INSERT 8-32	4	4	4	4	4	4
40 or	51-1367-1 51-1368-1	PLATE ASSEMBLY, OUTER (Consisting Of) PLATE ASSEMBLY, OUTER (Consisting Of)	1	1	1	1	1	1
41 or	51-1364-1 51-1365-1	PLATE ASSEMBLY, OUTER PLATE ASSEMBLY, OUTER	1	1	1	1	1	1
44	14-671-1	BRACKET ASSEMBLY, BURNDY (Consisting Of:)	1	1	1	1	1	1
45	14-651	BRACKET, BURNDY DSP200	1	1	1	1	1	1
46	70-136-1	HARNES, DSP200 DOUBLE BURNDY	1	1	1	1	1	1
47	75-300-2	PHSMS 4 x 1/2 PR TPB ZP	8	8	8	8	8	8
48	76-163-2	NUT, INSERT 8-32	2	2	2	2	2	2
49	14-652	BRACKET, LEVEL DSP200	1	1	1	1	1	1
50	14-581-1	BRACKET, PCB ATTACH	1	1	1	1	1	1
53	14-726-1	BRACKET, TRANSDUCER		1	1		1	
56	48-57-2	RIVET, BLIND 5/32x1/4	7	9	9	7	9	7
57	75-421-2	HHMS 10-32x1/2 ZP	4	4	4	4	4	4
58	75-359-2	PHSMS 6x3/8 TRILOBULAR	1	1	1	1	1	1
59	162-67-2	ADHESIVE, PERMABOND #932	A/R	A/R	A/R	A/R	A/R	A/R
60	162-72-2	ADHESIVE ACTIVATOR	A/R	A/R	A/R	A/R	A/R	A/R
61	221-157-2	LEVEL, CARTRIDGE	1	1	1	1	1	1
62	70-133-3	HARNES, DSP WIRING	1	1	1	1	1	1
63	109-70-2	TRANSDUCER, DIGITAL	2	2	1	1	2	2
64	75-326-2	SCREW, STAP 8-32x5/16 PH PR BZ	9	9	5	5	6	6
65	94-11-2	TIE, CABLE (Not Illustrated)	6	6	6	6	6	6
66	76-61-2	NUT, KEPS 10-32 ZP	2	2	2	2	2	2
67	77-146-2	WASHER, SHOULDER .140ID NYLON	1	1	1	1	1	1
68	45-761-1	PCB, DSP250 TRANSDUCER CONTROL	1	1	1	1	1	1
77	75-441-2	SCREW, STAP 8-32x.50 PH PR BZ	1	1	1	1	1	1

nnn - Paint Code Required
A/R - As Required
REF - Referenced to a previous page



DSP250/250HF/258/258HF 20-2.4 RFXCVR-1 SENSORS

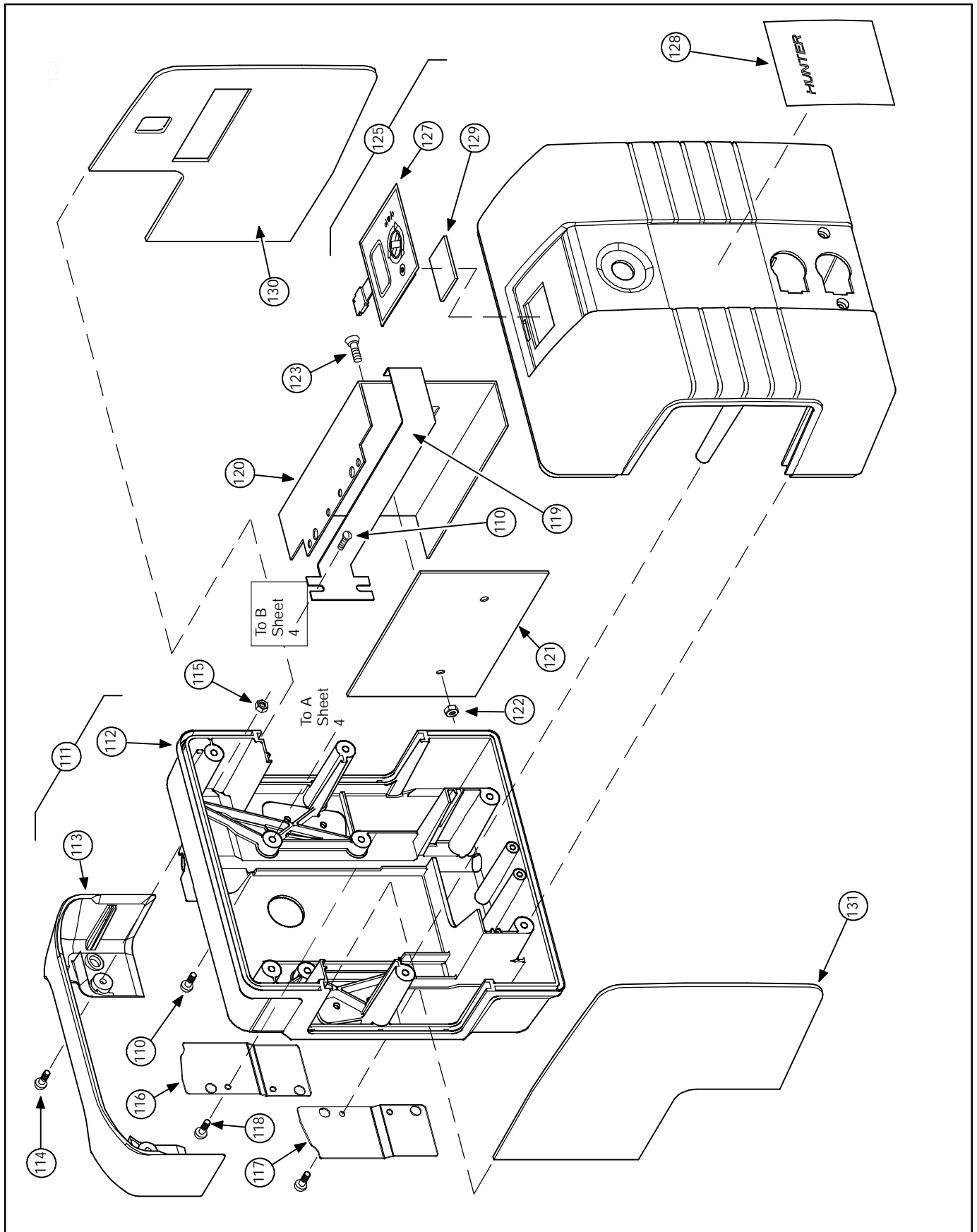
REFER TO NEXT SHEET FOR PARTS DESCRIPTION LISTING

PARTS DESCRIPTION LISTING

INDEX NO.	PART NUMBER	DESCRIPTION	LEFT FRONT	RIGHT FRONT	LEFT REAR	RIGHT REAR	LEFT REAR	RIGHT REAR
			250/250RF 258/258RF	250/250RF 258/258RF	250/250RF	250/250RF	258/258RF	258/258RF
78	.. 105-179-1 ..	HOUSING, SHAFT ASSEMBLY (Consisting Of:)	1			1		1
	.. 105-180-1 ..	HOUSING, SHAFT ASSEMBLY (Consisting Of:)		1	1		1	
86	.. 11-644-1 ..	SUPPORT LONGITUDE EMITTER RIGHT FRONT/REAR		1		1		
or	.. 11-645-1 ..	SUPPORT, LONGITUDE EMITTER LEFT FRONT/REAR	1		1			
or	.. 11-716-1 ..	SUPPORT, LONGITUDE EMITTER RIGHT REAR						1
or	.. 11-717-1 ..	SUPPORT, LONGITUDE EMITTER LEFT REAR					1	
93	.. 64-88-2 ..	PAD, BRAKE SENSOR	2	2	2	2	2	2
94	.. 212-42-2 ..	BRAKE, CALIPER	1	1	1	1	1	1
95	.. 17-62 ..	DISC, BRAKE	1	1	1	1	1	1
96	.. 99-72-2 ..	GEAR, SPUR 2.25 PD	1	1	1	1	1	1
97	.. 76-34-2 ..	NUT, JAM 3/8-24	1	1	1	1	1	1
98	.. 181-33-2 ..	OPTICAL ENCODER, DSP SENSORS	1	1	1	1	1	1
99	.. 99-78-2 ..	GEAR, MOLDED SPUR	1	1	1	1	1	1
100	.. 75-326-2 ..	SCREW, STAP 8-32x5/16 PH PR BZ	4	4	4	4	4	4
101	.. 75-414-2 ..	PHMS 8-32x3/4 GR8 PR BZ	2	2	2	2	2	2
102	.. 76-262-2 ..	NUT, LOCK 8-32 NYLON INSERT ZP	2	2	2	2	2	2
103	.. 75-52-2 ..	RHMS 4-40x1/2 PR ZP	4	4	4	4	4	4
104	.. 45-731-1 ..	PC, TOE EMITTER	1	1	1	1	1	1
105	.. 168-178-2 ..	IC-1.2 KHZ WITH FILTER	2			1		2
or	.. 168-179-2 ..	IC-2.4 KHZ WITH FILTER		2	1		2	
106	.. 34-101-3 ..	KNOB, BRAKE LOCK DSP200	1	1	1	1	1	1
107	.. 77-204-2 ..	WASHER, FLAT 4 NYLON	4	4	4	4	4	4
108	.. 75-31-2 ..	RHMS 4-40x3/8 PR ZP	2	2	2	2	2	2
109	.. 75-413-2 ..	SCREW, STAP 10-32x1/2 HWH ZP	8	8	8	8	8	8

nnn - Paint Code Required
 A/R - As Required
 REF - Referenced to a previous page





DSP250/250HF/258/258HF 20-2.4 RFXCVR-1 SENSORS

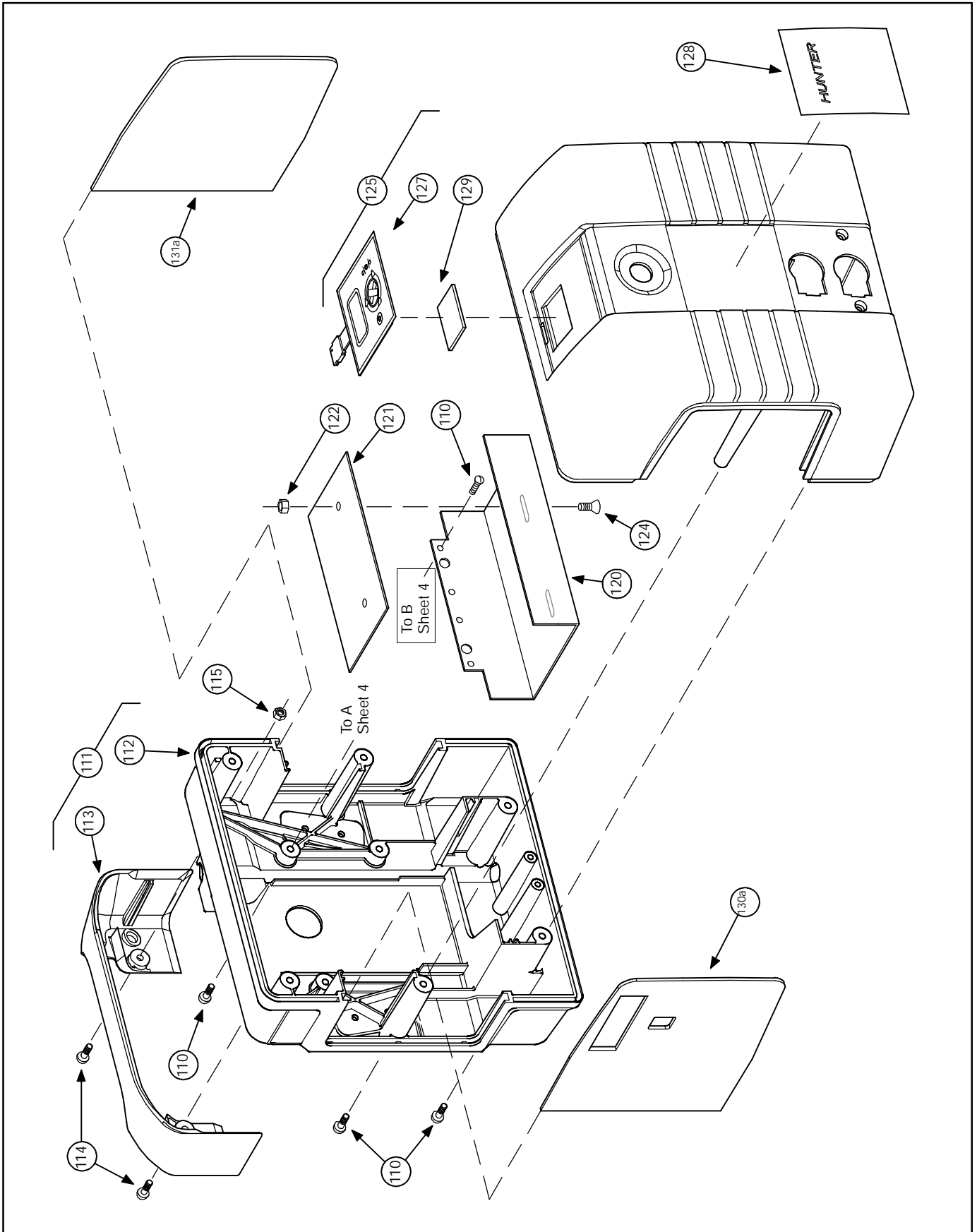
REFER TO NEXT SHEET FOR PARTS DESCRIPTION LISTING

PARTS DESCRIPTION LISTING

INDEX NO.	PART NUMBER	DESCRIPTION	LEFT FRONT 250/ 258	RIGHT FRONT 250/ 258	LEFT REAR 258	RIGHT REAR 258
110	75-441-2	SCREW STAP 8-32x3/8 PH PR ZP	15	15	15	15
111	69-830-1	COVER ASSEMBLY, REAR DSP250 (Consisting Of:)	1	1	1	1
112	69-825-2	COVER, REAR DSP200	1	1	1	1
113	142-101-2	HANDLE, PAINTED	1	1	1	1
114	75-486-2	SCREW, STAP 8-32x3/8 PR BZ	2	2	2	2
115	76-71-2	NUT, KEPS 8-32 ZP	2	2	2	2
116	69-867	COVER, BATTERY DSP250	1	1	1	1
117	69-868	COVER, BATTERY DSP250	1	1	1	1
118	75-416-2	PHMS 8-32 x 5/16 PR BZ	4	4	4	4
119	12-120	CLAMP, BATTERY FRONT	1	1	1	1
120	14-685	BRACKET, COUNTERWEIGHT	1	1	1	1
121	51-1396	PLATE, COUNTERWEIGHT	3	3	3	3
122	76-71-2	NUT, KEPS 8-32 ZP	2	2	2	2
123	75-414-2	PHMS 8-32x3/4 GR8 PR BZ	2	2	2	2
	162-50-2	TAPE, NEOPRENE SPONGE	A/R	A/R		
125	69-852-1	COVER ASSEMBLY, FRONT DSP250, HUNTER (Consisting Of:)	1	1	1	1
127	18-352-2	SWITCH, COMPENSATION	1	1	1	1
128	128-512-2	DECAL, DSP250	1	1	1	1
129	44-29	WINDOW, LEVEL	1	1	1	1
130	51-1331	PLATE LEFT FRONT/ RIGHT FRONT	1	1		
or	51-1410	PLATE, LEFT REAR/ RIGHT REAR (Not Illustrated)			1	1
131	51-1335	PLATE LEFT FRONT/ RIGHT FRONT WITHOUT SWITCH	1	1	1	1
	24-51-2	NAMEPLATE, HUNTER MODEL & PART NUMBER (Not Illustrated)	1	1	1	1
	128-72-2	DECAL, UL (Not Illustrated)	1	1	1	1
	128-390-2	DECAL, SENSOR DISCONNECT POWER (Not Illustrated)	2	2	2	2
	128-430-2	DECAL, UL FOR CANADA (Not Illustrated)	1	1	1	1

nnn - Paint Code Required
 A/R - As Required
 REF - Referenced to a previous page





DSP250/250HF/258/258HF 20-2.4 RFXCVR-1 SENSORS

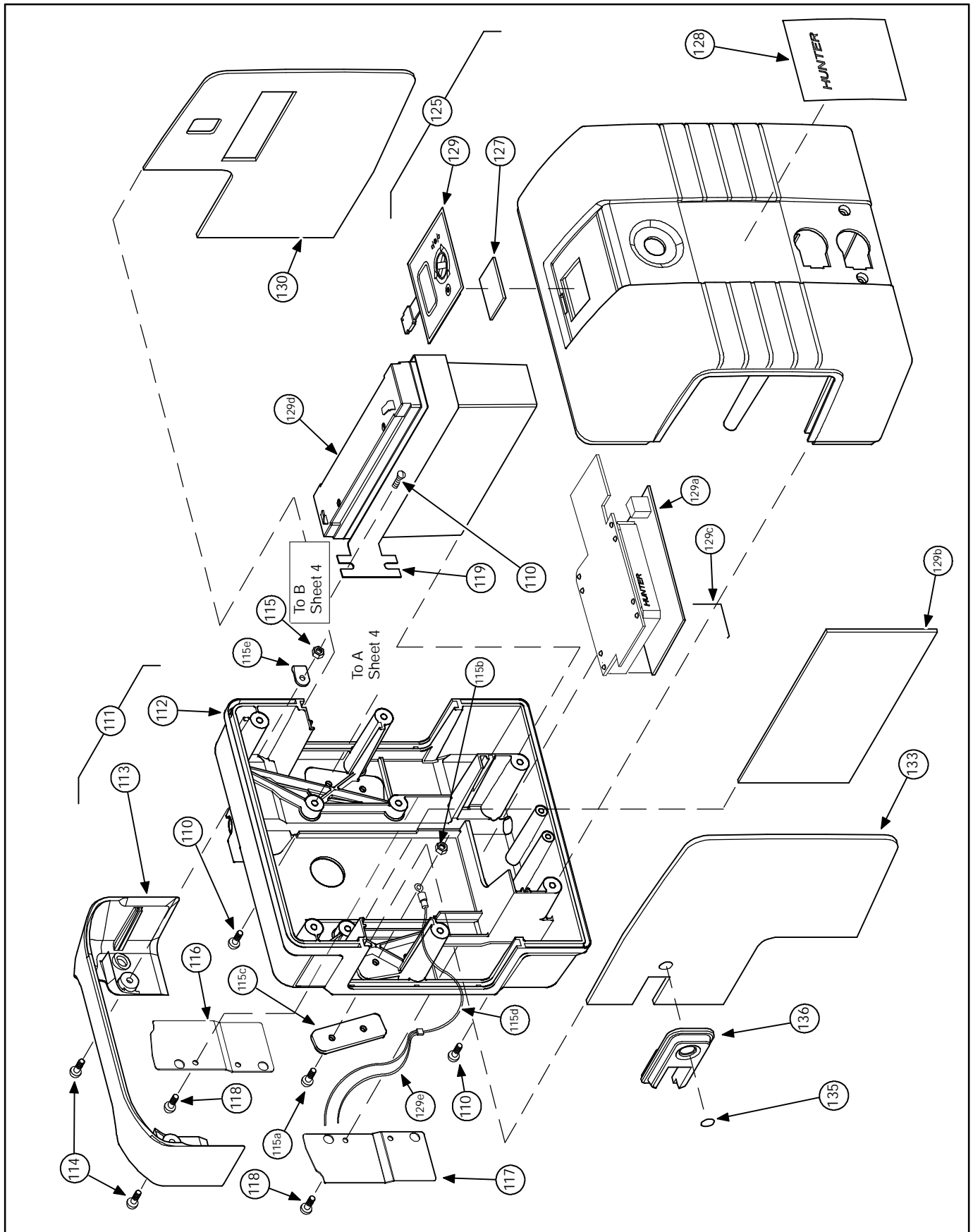
REFER TO NEXT SHEET FOR PARTS DESCRIPTION LISTING

PARTS DESCRIPTION LISTING

INDEX NO.	PART NUMBER	DESCRIPTION	LEFT REAR DSP250	RIGHT REAR DSP250
110	75-441-2	SCREW STAP 8-32x3/8 PH PR ZP	14	14
111	69-830-1	COVER ASSEMBLY, REAR DSP250 (Consisting Of:)	1	1
112	69-825-2	COVER, REAR DSP200	1	1
113	142-101-2	HANDLE, PAINTED	1	1
114	75-486-2	SCREW, STAP 8-32x3/8 PR BZ	2	2
115	76-71-2	NUT, KEPS 8-32 ZP	2	2
120	14-685	BRACKET, COUNTERWEIGHT	1	1
121	51-1396	PLATE, COUNTERWEIGHT	3	3
122	76-71-2	NUT, KEPS 8-32 ZP	2	2
123	75-414-2	PHMS 8-32x3/4 GR8 PR BZ	2	2
	162-50-2	TAPE, NEOPRENE SPONGE		
125	69-852-1	COVER ASSEMBLY, FRONT DSP250, HUNTER (Consisting Of:)	1	1
127	18-352-2	SWITCH, COMPENSATION	1	1
128	128-512-2	DECAL, DSP250	1	1
129	44-29	WINDOW, LEVEL	1	1
130a	51-1332	PLATE FRONT, LEFT REAR/ RIGHT REAR	1	1
131a	51-1336	PLATE REAR, LEFT REAR/ RIGHT REAR WITHOUT SWITCH	1	1
	24-51-2	NAMEPLATE, HUNTER MODEL & PART NUMBER (Not Illustrated)	1	1
	128-72-2	DECAL, UL (Not Illustrated)	1	1
	128-390-2	DECAL, SENSOR DISCONNECT POWER (Not Illustrated)	2	2
	128-430-2	DECAL, UL FOR CANADA (Not Illustrated)	1	1

nnn - Paint Code Required
A/R - As Required
REF - Referenced to a previous page





DSP250/250HF/258/258HF 20-2.4 RFXCVR-1 SENSORS

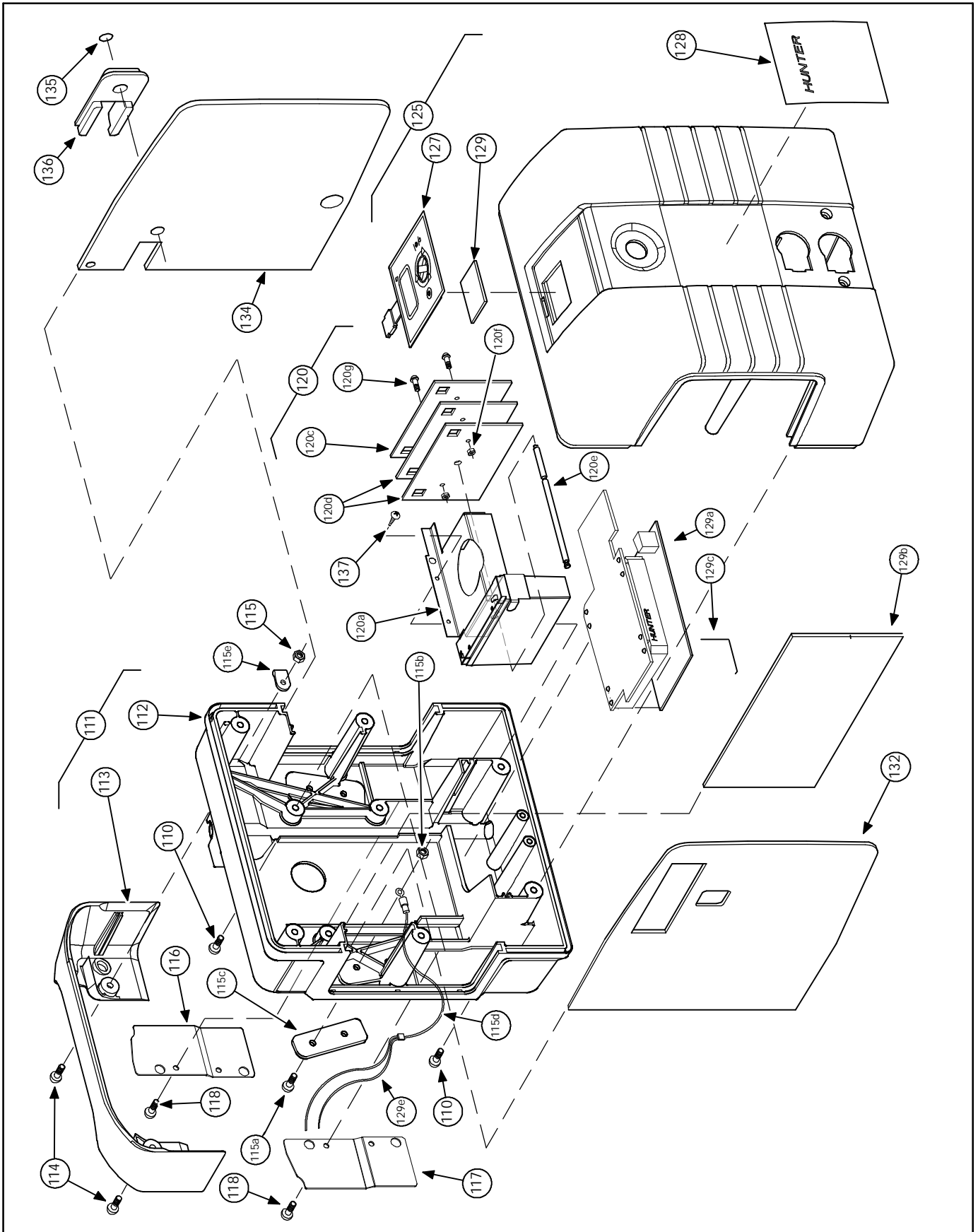
REFER TO NEXT SHEET FOR PARTS DESCRIPTION LISTING

PARTS DESCRIPTION LISTING

INDEX NO.	PART NUMBER	DESCRIPTION	LEFT FRONT 250RF 258RF	RIGHT FRONT 250RF 258RF	LEFT REAR 258RF	RIGHT REAR 258RF
110	75-441-2	SCREW STAP 8-32x3/8 PH PR ZP	15	15	15	15
111	69-831-1	COVER ASSEMBLY, REAR DSP250RF (Consisting Of:)	1	1	1	1
112	69-825-2	COVER, REAR DSP200	1	1	1	1
113	142-101-2	HANDLE, PAINTED	1	1	1	1
114	75-486-2	SCREW, FHSTAP 8-32x3/8 PR BZ	2	2	1	1
115	76-71-2	NUT, KEPS 8-32 ZP	2	2	1	1
115a	75-447-2	SCREW, FHMS 6-32x3/8 BRS PR FTHD	4	4	4	4
115b	76-84-2	NUT, KEPS 6-32 ZP	4	4	4	4
115c	51-1485	PLATE, CONTACT	2	2	2	2
115d	37-408-3	WIRE, 22 RECHARGE CONTACTS	1	1	1	1
115e	12-122-2	CLAMP, 1/8 DIAMETER	2	2	2	2
116	69-867	COVER, BATTERY DSP250	1	1	1	1
117	69-868	COVER, BATTERY DSP250	1	1	1	1
118	75-416-2	PHMS 8-32 x 5/16 PR BZ	4	4	4	4
119	12-120	CLAMP, BATTERY FRONT	1	1	1	1
	162-50-2	TAPE, NEOPRENE SPONGE (Not Illustrated)	A/R	A/R	A/R	A/R
125	69-852-1	COVER ASSEMBLY, FRONT DSP250 (Consisting Of:)	1	1	1	1
127	44-29	WINDOW, LEVEL	1	1	1	1
128	128-512-2	DECAL, DSP250	1	1	1	1
129	18-352-2	SWITCH, COMPENSATION	1	1	1	1
129a	45-607-3AS	PC ASSEMBLY, HF RECEIVER	1	1	1	1
	or 45-709-3	PC ASSEMBLY, RF RECEIVER	1	1	1	1
129b	45-575-1	PC ASSEMBLY, BATTERY CONTROL RF	1	1	1	1
	or 45-575-1-1	PC ASSEMBLY, BATTERY CONTROL HF	1	1	1	1
129c	37-383-2	WIRE ASSEMBLY, ANTENNA RF	1	1	1	1
	or 37-442-2	WIRE ASSEMBLY, ANTENNA HF	1	1	1	1
129d	194-18-2	BATTERY, 6V 6.5AH LEAD ACID	1	1	1	1
129e	37-432-3	WIRE, BATTERY CONTROL TO DSP	1	1	1	1
130	51-1331	PLATE, REAR	1	1		
	or 51-1410	PLATE, LEFT REAR/ RIGHT REAR (Not Illustrated)			1	1
133	51-1333	PLATE, FRONT, WITH SWITCH	1	1		
135	163-75-2	LENS, LED	1	1	1	1
136	149-225-2	FRAME, SWITCH BEZEL	1	1	1	1
	24-51-2	NAMEPLATE, HUNTER MODEL & PART (Not Illustrated)	1	1	1	1
	128-72-2	DECAL, UL (Not Illustrated)	1	1	1	1
	128-188-2	LABEL, 1/4 x 1 (Not Illustrated)	1	1	1	1
	128-390-2	DECAL, SENSOR DISCONNECT POWER (Not Illustrated)	2	2	2	2
	128-430-2	DECAL, UL FOR CANADA (Not Illustrated)	1	1	1	1
	128-507-2	DECAL, BATTERY (Not Illustrated)	1	1	1	1
	128-514-2	LABEL, TERMINAL DESIGNATION (Not Illustrated)	1	1	1	1

nnn - Paint Code Required
A/R - As Required
REF - Referenced to a previous page





DSP250/250HF/258/258HF 20-2.4 RFXCVR-1 SENSORS

REFER TO NEXT SHEET FOR PARTS DESCRIPTION LISTING

PARTS DESCRIPTION LISTING

INDEX NO.	PART NUMBER	DESCRIPTION	LEFT REAR 250RF	RIGHT REAR 250RF
110	75-441-2	SCREW STAP 8-32x3/8 PH PR ZP	6	6
111	69-831-1	COVER ASSEMBLY, REAR DSP250RF (Consisting Of:)	1	1
112	69-825-2	COVER, REAR DSP200	1	1
113	142-101-2	HANDLE, PAINTED	1	1
114	75-486-2	SCREW, FHSTAP 8-32x3/8 PR BZ	2	2
115	76-71-2	NUT, KEPS 8-32 ZP	2	2
115a	75-447-2	SCREW, FHMS 6-32x3/8 BRS PR FTHD	4	4
115b	76-84-2	NUT, KEPS 6-32 ZP	4	4
115c	51-1485	PLATE, CONTACT	2	2
115d	37-408-3	WIRE, 22 RECHARGE CONTACTS	1	1
115e	12-122-2	CLAMP, 1/8 DIAMETER	2	2
116	69-867	COVER, BATTERY DSP250	1	1
117	69-868	COVER, BATTERY DSP250	1	1
118	75-416-2	PHMS 8-32 x 5/16 PR BZ	4	4
120	14-759-1	BRACKET ASSEMBLY, COUNTERWEIGHT (Consisting Of:)	1	
	or 14-758-1	BRACKET ASSEMBLY, COUNTERWEIGHT (Consisting Of:)		1
120a	14-753	BRACKET, COUNTERWEIGHT	1	
120b	14-754	BRACKET, COUNTERWEIGHT (Not Illustrated)		1
120c	51-1502-1	PLATE ASSEMBLY, COUNTERWEIGHT	1	1
120d	51-1501	PLATE COUNTERWEIGHT	1	1
120e	97-345-2	SHAFT COUNTERWEIGHT	1	1
120f	76-71-2	NUT, KEPS 8-32 ZP	2	2
120g	75-80-2	RHMS 8-32 x 5/8 PR ZP	2	2
	162-50-2	TAPE, NEOPRENE SPONGE (Not Illustrated)		
125	69-852-1	COVER ASSEMBLY, FRONT DSP250 (Consisting Of:)	1	1
127	18-352-2	SWITCH, COMPENSATION	1	1
128	128-512-2	DECAL, DSP250	1	1
129	44-29	WINDOW, LEVEL	1	1
129a	45-607-3AS	PC ASSEMBLY, HF RECEIVER	1	1
	or 45-709-3	PC ASSEMBLY, RF RECEIVER	1	1
129b	45-575-1	PC ASSEMBLY, BATTERY CONTROL RF	1	1
	or 45-575-1-1	PC ASSEMBLY, BATTERY CONTROL HF	1	1
129c	37-383-2	WIRE ASSEMBLY, ANTENNA RF	1	1
	or 37-442-2	WIRE ASSEMBLY, ANTENNA HF	1	1
129d	194-18-2	BATTERY, 6V 6.5AH LEAD ACID	1	1
129e	37-432-3	WIRE, BATTERY CONTROL TO DSP	1	1
132	51-1332	PLATE, FRONT	1	1
134	51-1334	PLATE, REAR WITH SWITCH	1	1
135	163-75-2	LENS, LED	1	1
136	149-225-2	FRAME, SWITCH BEZEL	1	1
137	75-446-2	SCREW, STAP 8-32 x 3/8 PH PR BZ	9	9
	24-51-2	NAMEPLATE, HUNTER MODEL & PART (Not Illustrated)	1	1
	128-72-2	DECAL, UL (Not Illustrated)	1	1
	128-390-2	DECAL, SENSOR DISCONNECT POWER (Not Illustrated)	2	2
	128-430-2	DECAL, UL FOR CANADA (Not Illustrated)	1	1
	128-188-2	LABEL, 1/4 x 1 INCH (Not Illustrated)	1	1
	128-507-2	DECAL, BATTERY (Not Illustrated)	1	1
	128-514-2	LABEL, TERMINAL DESIGNATION (Not Illustrated)	1	1
	128-145-2	CLAMP, CABLE 1/4 DIAMETER (Not Illustrated)	1	1

nnn - Paint Code Required
A/R - As Required
REF - Referenced to a previous page

